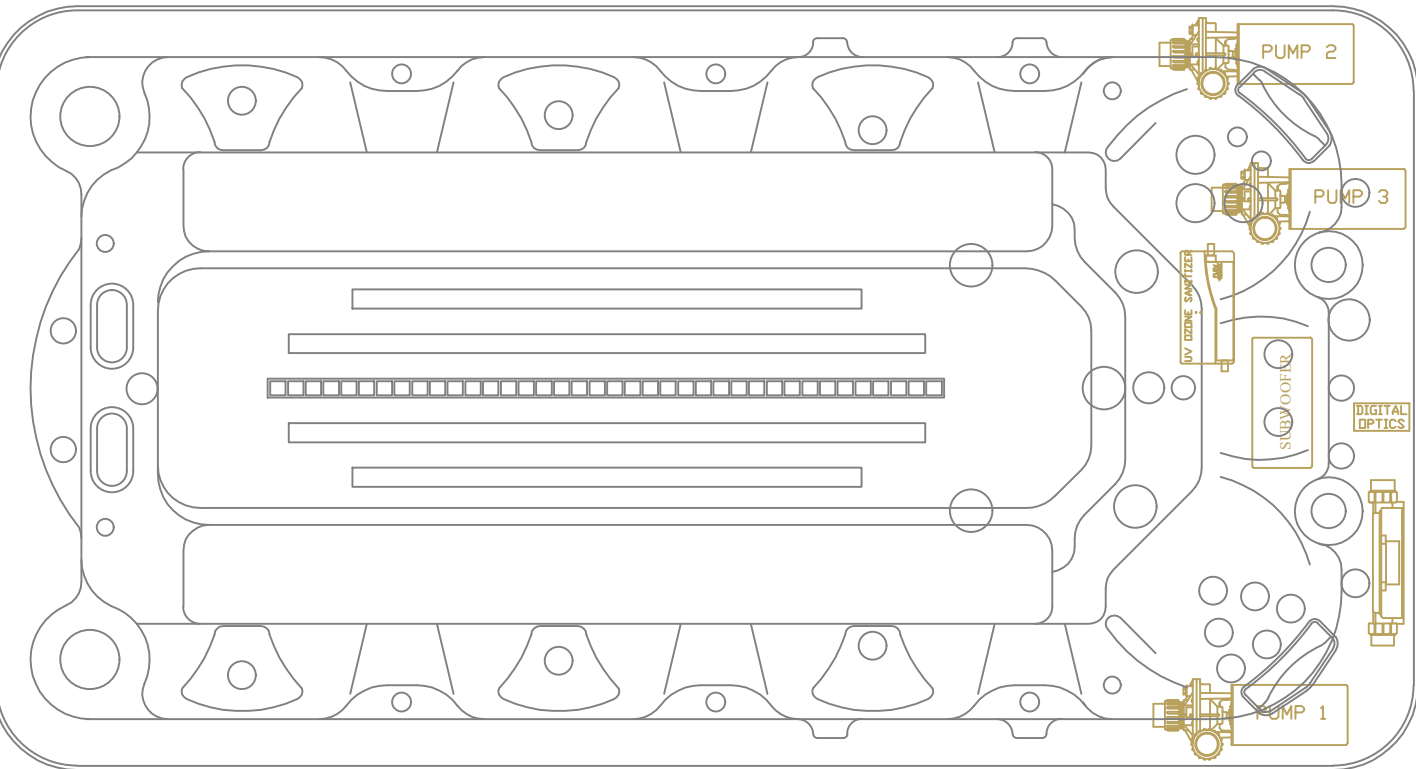


US / CDN EQUIPMENT SPECIFICATION

- NOTES:
- 1) PUMP #1
PN 110733 3HP
 - 2) PUMP #2
PN 110733 3HP
 - 3) PUMP #3
PN 110733 3HP
 - 4) CONTROL PACK
MODEL IN.YT-7, 5.5KW TITANIUM HTR, V3, 60HZ
PN 110792
 - 5) TOPSIDE, K1000
PN 110833
 - 6) OZONATOR
PN 110329
 - 7) U.V. SANITIZER AQUANOVA
PN 110249
 - 8) SUBWOOFER, IN.STREAM2
PN 110341, PN 109616
 - 9) IN.MIX300
PN 110361

EURO EQUIPMENT SPECIFICATION

- NOTES:
- 1) PUMP #1
PN 110734 3HP
 - 2) PUMP #2
PN 110734 3HP
 - 3) PUMP #3
PN 110734 3HP
 - 4) CONTROL PACK
MODEL EQUIP IN.YT-7, 3KW TITANIUM HTR, V3, 50HZ
PN 110791
 - 5) TOPSIDE, K1000
PN 110833
 - 6) OZONATOR
PN 110329
 - 7) U.V. SANITIZER AQUANOVA
PN 110249
 - 8) SUBWOOFER, IN.STREAM2
PN 110341, PN 109616
 - 9) IN.MIX300
PN 110361



REVISIONS			
#	DATE	DESCRIPTION	BY



TITLE: MODEL MB4/ML4
EQUIPMENT SPECS. & LAYOUT

DRAWING NO.: MMB42105
CYCLE TIME: 000 sec

DATE: 1/1/2022
SHEET: 1 OF 1